

POST FOR ORNEMENTAL FENCE

INSTALLATION MANUAL

Plan and draw your fence project. Sketch your project with the measurements of your house and the location of the cast iron fence.

⚠ CAUTION

In areas where ground frost occurs, extend the concrete footing below the frost line. Local municipalities may require different hole depths. Verify that hole depths meet your local building codes.

Before digging, it is recommended to check that there are no gas lines, telephone lines, electrical or other cables where your posts will be installed. Please contact the various utility companies before beginning.

NOTE

Local municipalities may require a setback from property line to fence line, otherwise, it is recommended to be 2 inches inside the property line. It is important to find out all the requirements before installing your fence. Please verify with your municipality the local building codes for fence installation.



A CAPS

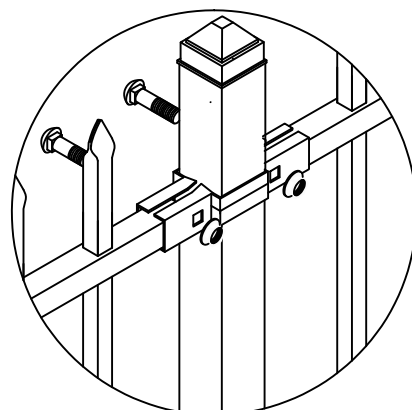
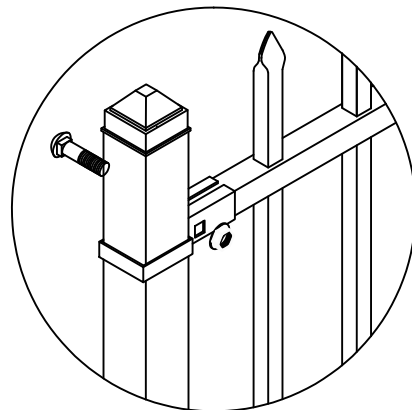


B STARTING BRACKETS AND STRAIGHT MOUNTING



C ANGLE BRACKETS

B STARTING BRACKETS AND STRAIGHT MOUNTING



C ANGLE BRACKETS

